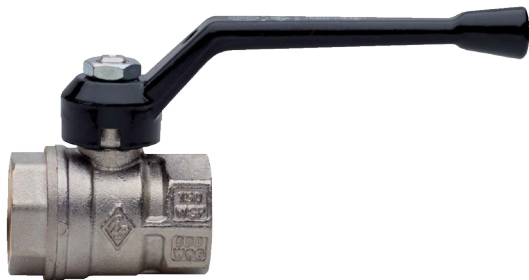


BALL VALVES

Brass

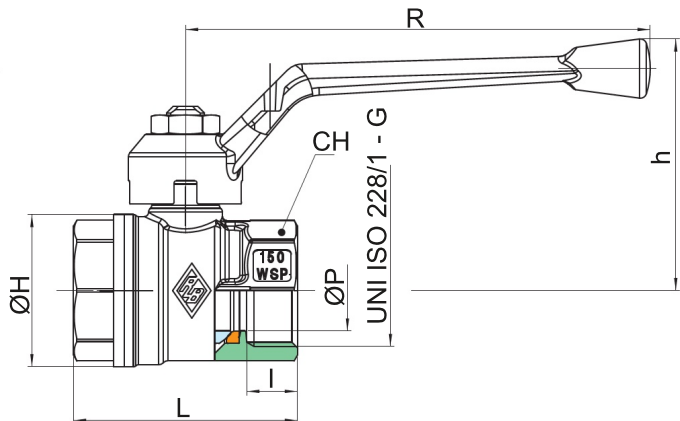
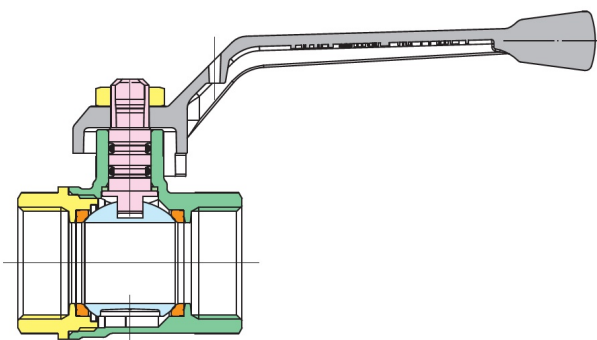


1500

Ball valve with handle
Full bore

Technical Features

Body:	Brass CW617N UNI EN 12420
Ball:	Brass CW617N UNI EN 12420
Stem:	Brass CW614N UNI EN 12164
Hand lever:	Aluminium EN.AC 46100
Nut:	Steel CI 04
Ball seats:	PTFE
Stem seats:	PTFE, FKM and NBR
Temperature range:	-20...+130°C
Connection:	Female thread acc. to UNI ISO 228/1 - G



Dimensions

Type	G"	DN	ØP	I	L	ØH	CH	R	h	Kv	PN	Kg
1500-1/2"	1/2	15	14	12,0	47,5	30,0	25	95	47,5	16,3	30	0,16
1500-3/4"	3/4	20	19	12,0	53,0	36,0	31	110	59,5	29,5	30	0,25
1500-1"	1	25	24	14,5	65,5	43,5	38	110	62,0	43,0	30	0,40
1500-1 1/4"	1 1/4	32	30	16,0	76,5	53,0	48	160	75,5	89,0	25	0,68
1500-1 1/2"	1 1/2	40	38	18,0	89,0	65,0	54	160	81,5	230,0	25	0,96
1500-2"	2	50	47	19,0	103,0	80,0	67	170	99,5	265,0	25	1,58
1500-2 1/2"	2 1/2	65		24,0	129,5	104,0	83	205	123,5	540,0	16	2,65
1500-3"	3	80		29,0	151,0	126,0	98	205	133,5	873,0	16	4,21
1500-4"	4	100		32,0	185,0	154,5	128	205	147,5	1390,0	16	7,18

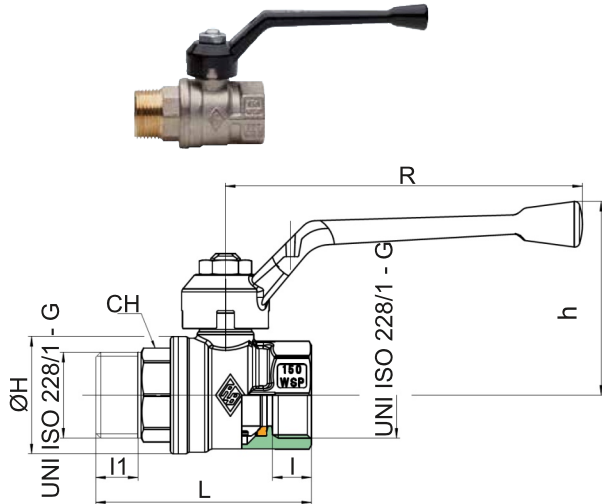
BALL VALVES

Brass



1501

Full bore ball valve with hand lever
Male/female threaded connection

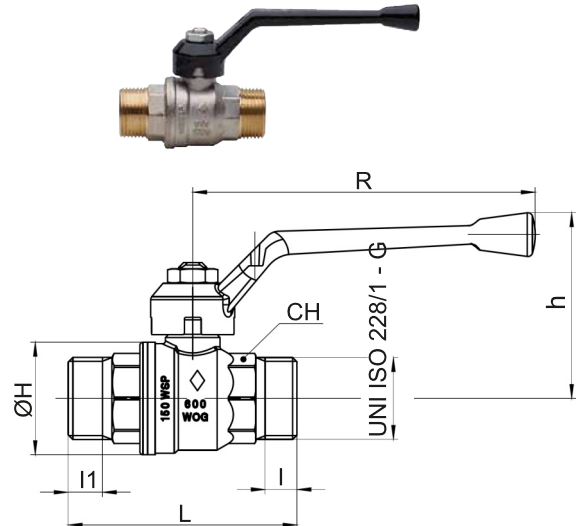


Dimensions

G"	DN	I	I1	L	ØH	CH	R	h	Kv	PN	Kg
1/2	15	12,0	13	59,0	22	25	95	47,5	16,3	30	0,18
3/4	20	12,0	13	66,5	27	31	110	59,5	29,5	30	0,28
1	25	14,5	15	77,7	34	38	110	62,0	43,0	30	0,42
1 1/4	32	16,0	17	91,2	43	48	160	75,5	89,0	25	0,75
1 1/2	40	18,0	18	104,7	50	54	160	81,5	230,0	25	1,07
2	50	19,0	22	121,0	62	67	170	99,5	265,0	25	1,71

1503

Full bore ball valve with hand lever
Female threaded connection

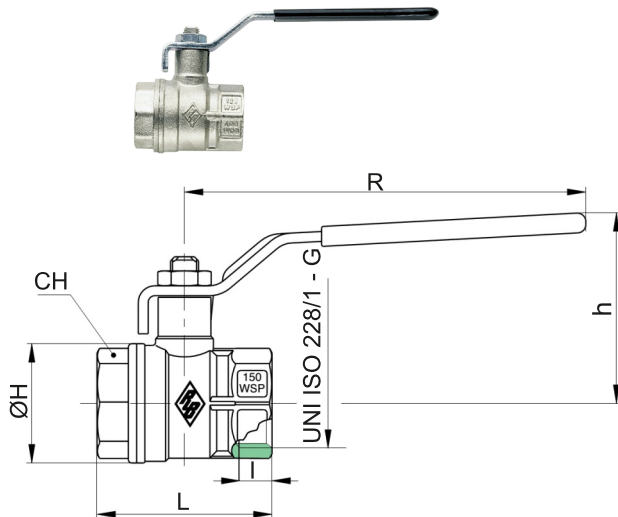


Dimensions

G"	DN	I	I1	CH	ØH	L	h	R	Kv	PN	Kg
1/2	15	11,5	13	22	30	62,2	47,5	95	16,3	30	0,18
3/4	20	13,2	14	27	36	73,5	59,5	110	29,5	30	0,30
1	25	16,5	15	34	43,5	83,7	62,0	110	43,0	30	0,44

1510

Full bore ball valve with hand lever
Female threaded connection

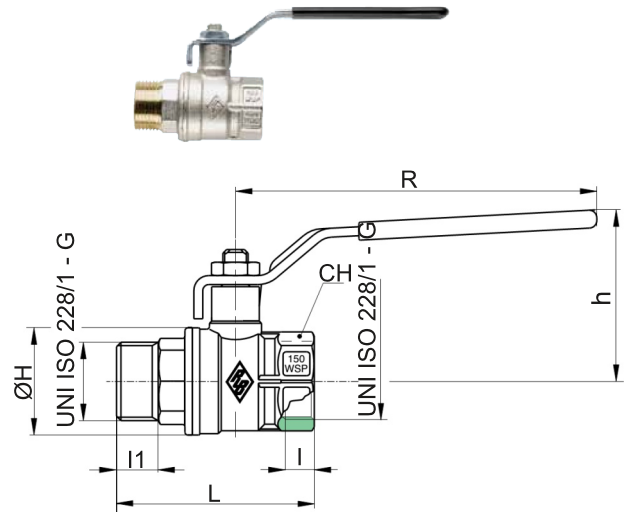


Dimensions

G"	DN	I	L	ØH	CH	R	h	Kv	PN	Kg
1/2	15	12,0	47,5	30	25	96	45	16,3	30	0,18
3/4	20	12,0	53	36	31	121	56,5	29,5	30	0,28
1	25	14,5	65,5	43,5	38	121	59	43,0	30	0,43
1 1/4	32	16,0	76,5	53	48	151	72,5	89,0	25	0,74
1 1/2	40	18,0	89	65	54	151	78,5	230,0	25	1,06
2	50	19,0	103	80	67	160	91,5	265,0	25	1,70

1511

Full bore ball valve with hand lever
Male/female threaded connection



Dimensions

G"	DN	I	I1	L	ØH	CH	R	h	Kv	PN	Kg
1/2	15	12,0	13	59,0	30	25	96	45	16,3	30	0,18
3/4	20	12,0	13	66,5	36	31	121	56,5	29,5	30	0,28
1	25	14,5	15	77,7	43,5	38	121	59	43,0	30	0,43
1 1/4	32	16,0	17	91,2	53	40	151	72,5	89,0	25	0,74
1 1/2	40	18,0	18	104,7	65	54	151	78,5	230,0	25	1,04
2	50	19,0	22	121,0	80	68	161	91,5	265,0	25	1,70

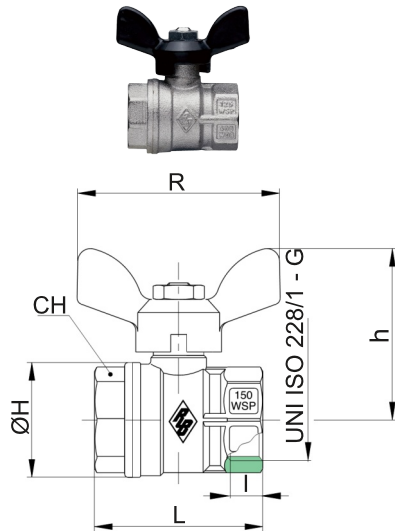
BALL VALVES

Brass



1520

Full bore ball valve with T-handle
Female threaded connection

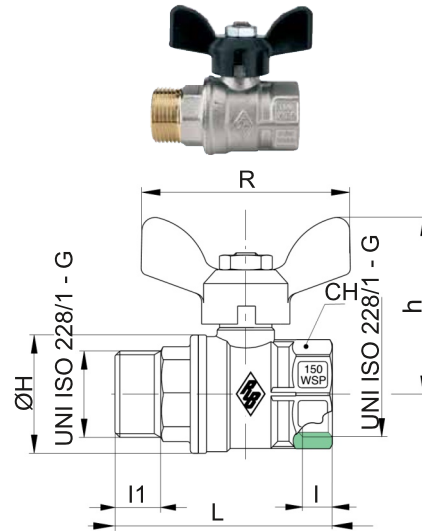


Dimensions

G"	DN	I	L	ØH	CH	M	h	Kv	PN	Kg
1/2	15	12,0	47,5	30	25	50	40,5	16,3	30	0,14
3/4	20	12,0	53	36	31	64	50,5	29,5	30	0,24
1	25	14,5	65,5	43,5	38	64	53	43,0	30	0,37

1521

Full bore ball valve with T-handle
Male/female threaded connection



Dimensions

G"	DN	I	I1	L	ØH	CH	M	h	Kv	PN	Kg
1/2	15	12,0	13	59,0	30	25	50	40,5	16,3	30	0,17
3/4	20	12,0	13	66,5	36	31	64	50,5	29,5	30	0,27
1	25	14,5	15	77,7	43,5	38	64	53	43	30	0,41