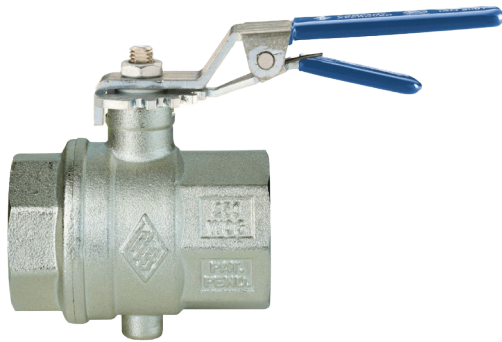


BUTTERFLY VALVES

Threaded, Lever

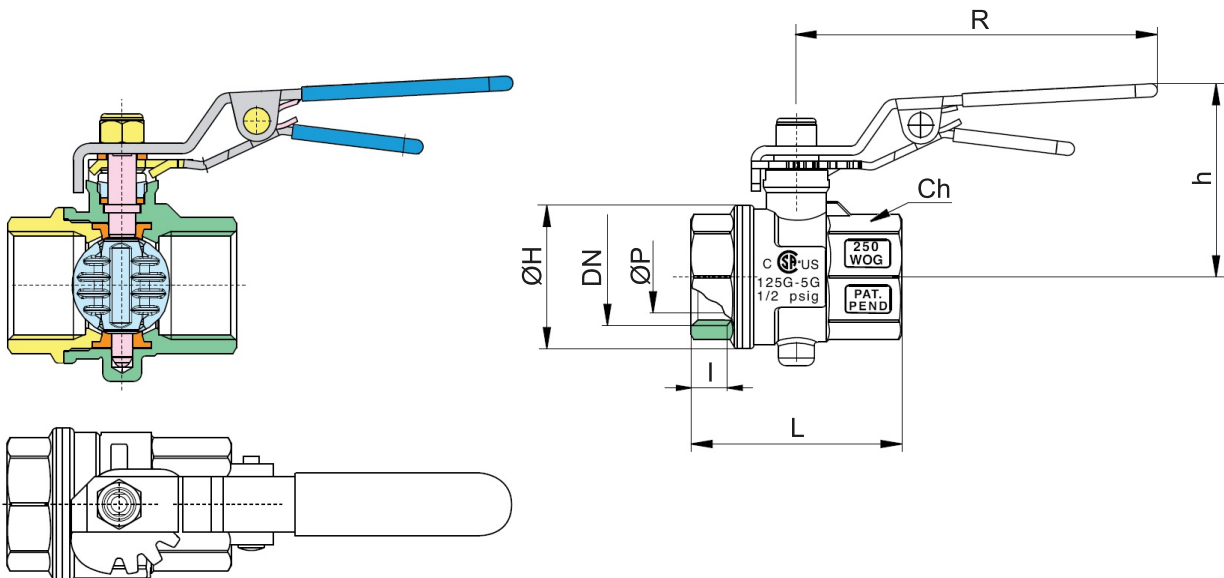


600000

Butterfly valve with f/f threaded connection with throttling.
The selected internal elements along with its structure prevents lime settling.
Construction without internal cavities prevents standing fluids.

Technical Specification

Shut-off pressure:	Max 16bar
Connections:	Female/female threads according to UNI EN 10226-1 Rp
Body:	Brass CW617N UNI EN 12165
Disc:	Polymer, PEI (ULTEM 1000)
Stem:	Brass CW614N UNI EN 12164
Seat:	EPDM
Temperature range:	-10...+130°C



Dimensions

G "	DN	Type	ØP	I	Ch	ØH	L	h	R	Kv	PN	Kg
1/2	15	600000-1/2"	16	15,0	25	31	49	47	95	8,5	16	0,19
3/4	20	600000-3/4"	21	16,3	31	38	56	51	95	17,0	16	0,25
1	25	600000-1"	27	19,1	38	46	64	54	95	27,0	16	0,36
1 1/4	32	600000-1 1/4"	34	21,4	48	56	76	72	120	50,0	16	0,67
1 1/2	40	600000-1 1/2"	41	21,4	54	66	82	77	120	82,5	16	0,88
2	50	600000-2"	52	25,7	67	78	93	87	150	136,5	16	1,31
2 1/2	65	600000-2 1/2"	65	30,2	90	102	112	121	205	240,0	16	3,06
3	80	600000-3"	80	33,3	105	122	130	132	205	340,0	16	4,67
4	100	600000-4"	103	39,3	130	145	146	145	205	550,0	16	6,29

Options

- 600009, FKM seat, mediatemperature -10...+150°C
- 600300, Female/male threaded connections
- 600600, Extended stem suitable for thermic insulated pipes.