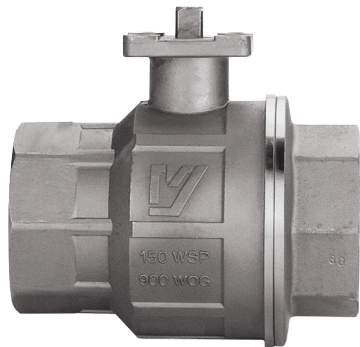


BALL VALVES

2-piece, for actuator



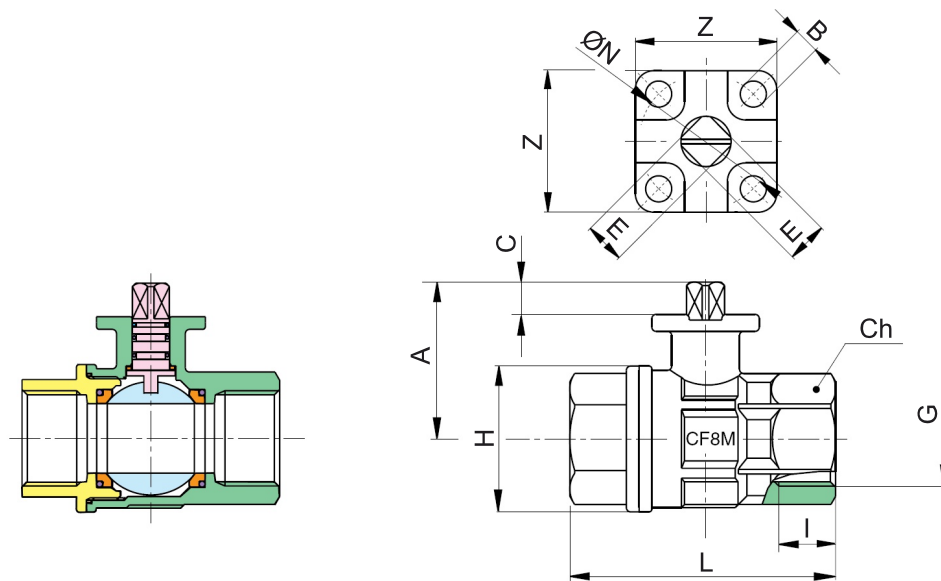
703000

2-piece ball valve with valve top according to ISO 5211 for actuator.
Full port.
Antistatic device.



Technical Specification

Body:	Stainless steel A351-CF8M
Ball:	Stainless steel A182-F316 / A351-CF8M
Stem:	Stainless steel A182-F316
Ball seats:	PTFE
Other seals:	PTFE and FKM
Temperature range:	-20...+160°C
Connections:	Female threads according to ISO 7/1 - UNI EN 10226/1 - Rp
Others:	ATEX II 2 G/D c T4



Dimensions

Type	DN	G"	I	L	H	Ch	A	C	E	ØN	B	Z	Kv	PN	Kg
703000-1/2"	15	1/2	15,0	67	34,5	27	41,5	9	9	36	6	38	16,3	64	0,3
703000-3/4"	20	3/4	16,3	78	42,0	32	43,5	9	9	36	6	38	29,5	64	0,4
703000-1"	25	1	19,1	90	51,5	41	53,5	9	9	36	6	38	43,0	64	0,7
703000-1 1/4"	32	1 1/4	21,4	100	64,5	50	57,0	9	9	36	6	38	89,0	64	1,1
703000-1 1/2"	40	1 1/2	21,4	112	77,0	55	74,0	11	11	50	7	50	230,0	64	1,7
703000-2"	50	2	25,7	135	97,0	70	83,3	11	11	50	7	50	265,0	64	3,0