

DN 50 - 200, Hand Lever



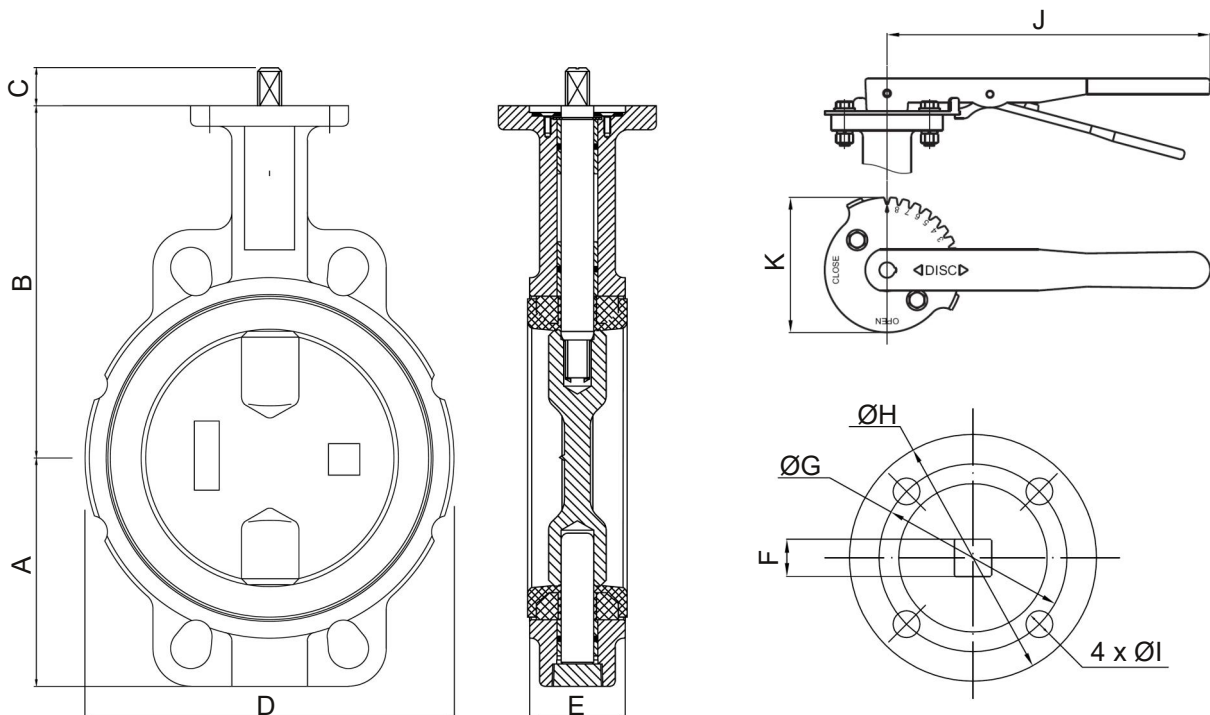
AVS-102

Wafer type butterfly valve suitable for flanges PN16 / ANSI150.

Only the disc and seat are in contact with the media.
Valve top according to ISO 5211 for actuator.

Technical Specification

Shut-off pressure:	Max 16bar
Face-to-face dim:	Acc to DIN 3202 K1
Body:	Cast iron GG25, Epoxy coated
Disc:	Stainless steel A351-CF8M
Stem:	Stainless steel A431
Seat:	NBR
Temperature range:	-10...+85°C



Dimensions

DN	Type	ISO5211	A	B	C	D	E	F	ØG	ØH	ØI	J	K	Nm*	Kg
50	AVS-102-DN50	F05/F07	71,4	142,7	22,0	97	43	11	50/70	90	7/10	267	110	16	3,3
65	AVS-102-DN65	F05/F07	71,4	142,7	22,0	109	43	11	50/70	90	7/10	267	110	17	3,9
80	AVS-102-DN80	F05/F07	89,0	161,8	22,0	126	43	11	50/70	90	7/10	267	110	19	4,1
100	AVS-102-DN100	F07	102,0	178,0	22,0	152	51	14	70	90	10	267	110	41	5,3
125	AVS-102-DN125	F07	123,0	190,5	22,0	182	55	14	70	90	10	267	110	59	7,3
150	AVS-102-DN150	F07	138,0	205,2	22,0	207	55	14	70	90	10	267	110	103	8,1
200	AVS-102-DN200	F10	168,0	238,0	34,5	262	60	17	102	150	12	357	163	154	14,8

*) Torque at 16bar ΔP