

# BUTTERFLY VALVES

DN 50 - 300, Hand Lever

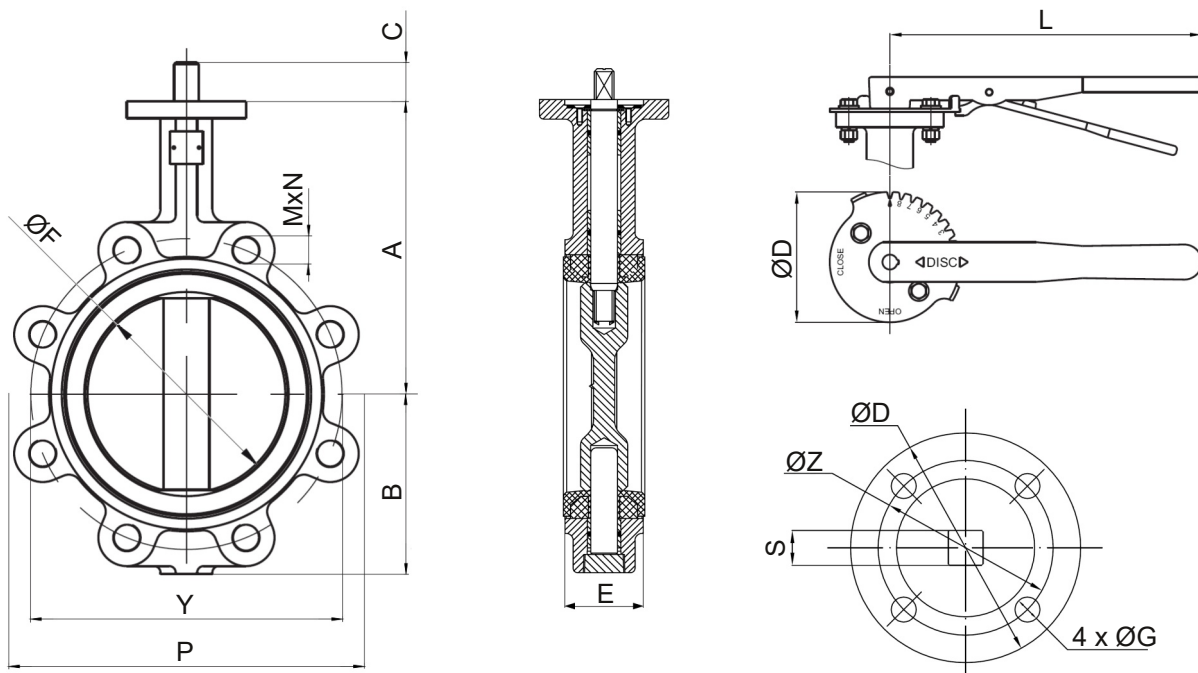


## AVS-201

Lug type butterfly valve suitable for flanges.  
Only the disc and seat are in contact with the media.  
Valve top according to ISO 5211 for actuator.

### Technical Specification

Shut-off pressure:	See table PN
Face-to-face dim:	Acc to DIN 3202 K1
Body:	Ductile iron EN-GJL 400, Epoxy coated
Disc:	Stainless steel A351-CF8M
Stem:	Stainless steel A431
Seat:	EPDM
Temperature range:	-20...+120°C



### Dimensions

Type	DN	ISO5211	A	B	L	ØF	ØP	E	ØD	C	ØG	ØZ	S	Y	MxN°	PN	Nm*	Kg
AVS-201-DN50-PN16	50	F05/F07	143	71	267	52	165	43	90	22	7/10	50/70	11	125	M16x4	16	16	3,9
AVS-201-DN65-PN16	65	F05/F07	155	78	267	64	185	46	90	22	7/10	50/70	11	145	M16x4	16	17	4,7
AVS-201-DN80-PN16	80	F05/F07	162	89	267	79	200	46	90	22	7/10	50/70	11	160	M16x8	16	19	5,3
AVS-201-DN100-PN16	100	F07	178	102	267	104	220	52	90	22	10	70	14	180	M16x8	16	41	7,9
AVS-201-DN125-PN16	125	F07	191	123	267	123	250	56	90	22	10	70	14	210	M16x8	16	59	10,5
AVS-201-DN150-PN16	150	F07	205	138	267	156	285	56	90	22	10	70	14	240	M20x8	16	103	12,1
AVS-201-DN200-PN10	200	F10	237	168	358	203	340	60	150	35	12	102	17	295	M20x8	10	154	21,1
AVS-201-DN200-PN16	200	F10	237	168	358	203	340	60	150	35	12	102	17	295	M20x12	16	154	21,1
AVS-201-DN250-PN10	250	F10	268	207	358	251	405	68	150	35	12	102	22	350	M20x12	10	231	32,2
AVS-201-DN250-PN16	250	F10	268	207	358	251	405	68	150	35	12	102	22	355	M24x12	16	231	32,2
AVS-201-DN300-PN10	300	F12	309	244	358	302	460	78	150	35	14	125	27	400	M20x12	10	285	47,1
AVS-201-DN300-PN16	300	F12	309	244	358	302	460	78	150	35	14	125	27	410	M24x12	16	285	47,1

\*) Torque at 16bar ΔP