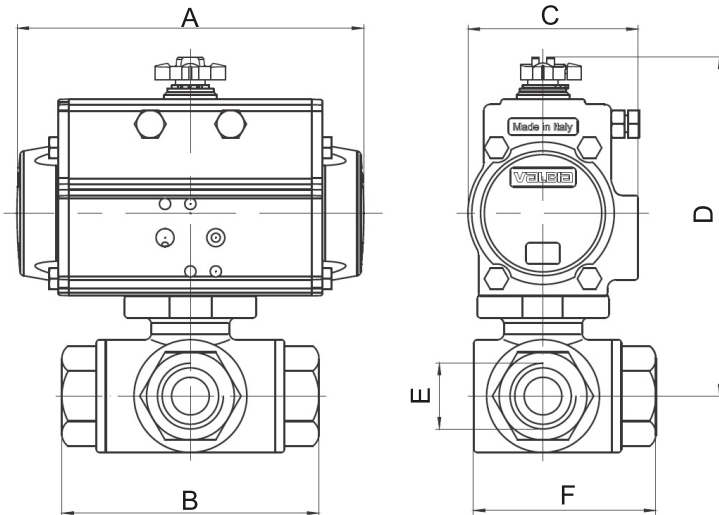
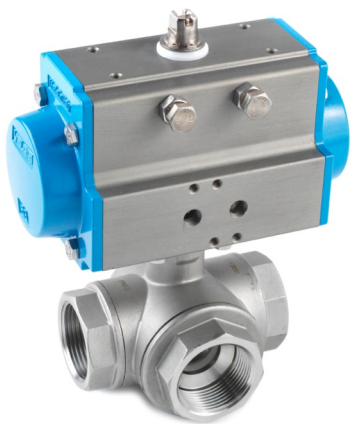


BALL VALVES

Ball Valve K40(L)/K41(T) with Pneumatic Actuator



Ball valve with double acting pneumatic actuator

Type	A	B	C	D	E	F	Kg
K40/K41-1/4"-DA52	141	79	71	144	1/4"	64	1,8
K40/K41-3/8"-DA52	141	79	71	174	3/8"	64	1,7
K40/K41-1/2"-DA52	141	79	71	144	1/2"	64	1,7
K40/K41-3/4"-DA52	141	83	71	151	3/4"	68	2,0
K40/K41-1"-DA63	164	104	81	173	1"	82	3,2
K40/K41-1 1/4"-DA75	210	111	95	195	1 1/4"	90	4,9
K40/K41-1 1/2"-DA75	210	126	95	205	1 1/2"	106	6,1
K40/K41-2"-DA85	241	147	106	228	2"	123	9,0

Ball valve with spring return pneumatic actuator

Type	A	B	C	D	E	F	Kg
K40/K41-1/4"-SR63	164	79	81	155	1/4"	64	2,7
K40/K41-3/8"-SR63	164	79	81	185	3/8"	64	2,6
K40/K41-1/2"-SR63	164	79	81	155	1/2"	64	2,6
K40/K41-3/4"-SR75	210	83	95	180	3/4"	68	4,3
K40/K41-1"-SR85	241	104	106	205	1"	82	6,3
K40/K41-1 1/4"-SR85	241	111	106	209	1 1/4"	90	6,9
K40/K41-1 1/2"-SR100	275	126	123	232	1 1/2"	106	10,3
K40/K41-2"-SR115	333	147	137	275	2"	123	16,6