

BALL VALVE

Split body, Hand Lever

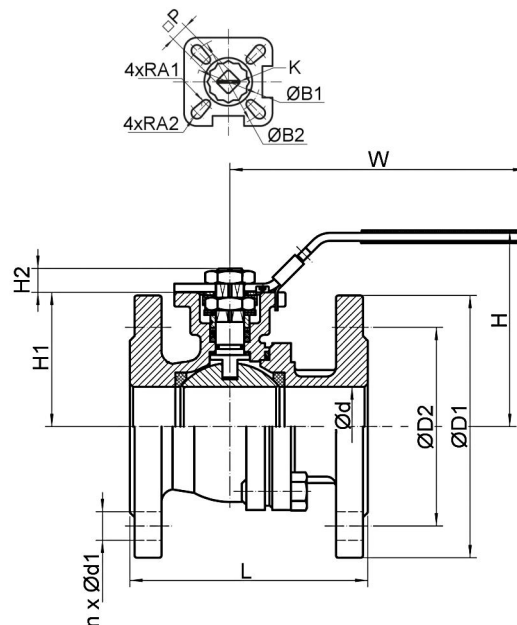


K60D

Split body ball valve with flanges acc.to EN1092-1.
Full bore.
Handlever with locking device.
Mounting pattern according to ISO5211 for automation with pneumatic or electric actuator.

Technical Specification

Body:	Stainless steel 1.4408
Ball:	Stainless steel 1.4408
Stem:	Stainless steel 1.4408
Hand lever:	Stainless steel AISI304
Bolts and nuts:	Stainless steel AISI304
Ball seats:	Glassfibre reinforced PTFE, RPTFE
Stem seats:	PTFE and FKM
Temperature range:	-20...+160°C
Face to face dimension:	Acc. to DIN3202-F04



Dimensions

DN	Type	ISO5211	Ød	L	ØD1	ØD2	n x Ød1	H1	H2	H	W	K	P	A1	A2	B1	B2	PN	Kg
15	K60D-DN15-PN40	F03/F04	15	115	95	65	4x14	48	8	80	140	M12x1,5	9	3,0	3,0	36	42	40	2,2
20	K60D-DN20-PN40	F03/F04	20	120	105	75	4x14	53	8	85	140	M12x1,5	9	3,0	3,0	36	42	40	2,9
25	K60D-DN25-PN40	F04/F05	25	125	115	85	4x14	59	11	95	160	M14x1,5	11	3,0	3,5	42	50	40	3,8
32	K60D-DN32-PN40	F04/F05	32	130	140	100	4x18	71	11	108	160	M14x1,5	11	3,0	3,5	42	50	40	5,3
40	K60D-DN40-PN40	F05/F07	38	140	150	110	4x18	76	14	114	185	M18x1,5	14	3,5	4,5	50	70	40	6,6
50	K60D-DN50-PN40	F05/F07	50	150	165	125	4x18	85	14	124	185	M18x1,5	14	3,5	4,5	50	70	40	9,5
65	K60D-DN65-PN16	F07/F10	65	170	185	145	4x18	102	17	148	230	M22x1,5	17	4,5	5,5	70	102	16	12,3
80	K60D-DN80-PN16	F07/F10	76	180	200	160	8x18	112	17	158	230	M22x1,5	17	4,5	5,5	70	102	16	15,2
100	K60D-DN100-PN16	F10	100	190	220	180	8x18	141	22	189	320	M28x2,0	22	-	M10	-	102	16	20,9