

BUTTERFLY VALVES

DN 50 - 250, Hand Lever



SLT

Wafer type butterfly valve suitable for flanges PN10/16.

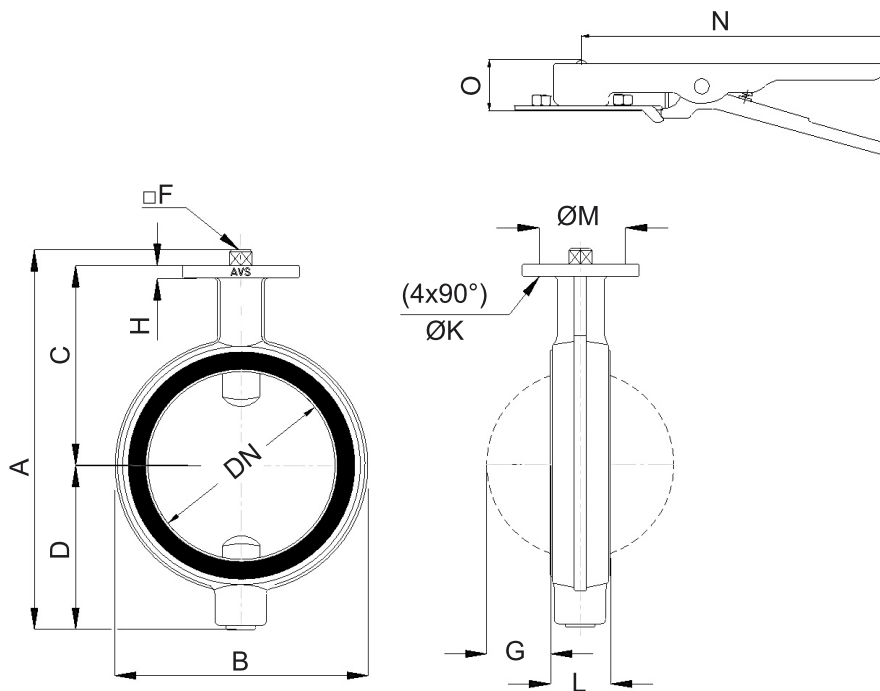
Interchangeable seat with support ring.

Only the disc and seat are in contact with the media.

Valve top according to ISO 5211 for actuator.

Technical Specification

Shut-off pressure:	Max 10bar
Face to face dimension:	Acc. to ISO 5752-20
Body:	Cast iron GJL-200, Epoxy coated
Disc:	Stainless steel AISI316
Stem:	Stainless steel AISI329
Seat:	PTFE
Temperature range:	0...+150°C
ATEX:	CE Ex II 2 GD



Dimensions

DN	Type	ISO5211	A	B	C	D	F	G	H	K	L	M	N	O	PN	Kg
50	SLT0050VHFR-P1	F05/F07	232	105	121	97	14	6	12	7/9	43	50/70	235	28	10	3
65	SLT0065VHFR-P1	F05/F07	250	125	130	106	14	13	12	7/9	46	50/70	235	28	10	4
80	SLT0080VHFR-P1	F05/F07	269	140	140	115	14	20	12	7/9	46	50/70	235	28	10	4
100	SLT0100VHFR-P2	F07	292	160	150	125	17	26	12	9	52	70	265	30	10	5
125	SLT0125VHFR-P2	F07	310	190	163	130	17	36	12	9	56	70	265	30	10	6
150	SLT0150VHFR-P2	F07	343	216	176	150	17	49	12	9	56	70	265	30	10	7
200	SLT0200VHFR-K2	F10	416	271	216	183	-	70	15	9/11	60	70/102	341	53	10	14
250	SLT0250VHFR-K2	F10	468	326	241	210	-	91	15	9/11	68	70/102	341	53	10	17