

# GATE VALVES

Stainless Steel

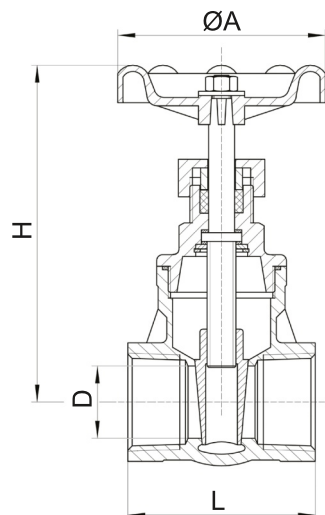


09

Gate valve with handwheel  
Non rising stem  
Metal seat

## Technical Features

|                    |                                 |
|--------------------|---------------------------------|
| Body:              | Stainless steel CF8M            |
| Disc:              | Stainless steel CF8M            |
| Stem:              | Stainless steel AISI 304        |
| Handwheel:         | Aluminium, red                  |
| Nut:               | Stainless steel AISI 304        |
| Body gasket:       | PTFE                            |
| Temperature range: | 0...+150°C                      |
| Connection:        | Female thread acc. to ISO 228-1 |



## Dimensions

| Type           | G"    | DN | ØA  | D  | H   | L  | PN | Kg  |
|----------------|-------|----|-----|----|-----|----|----|-----|
| 0923/08-1/2"   | 1/2   | 15 | 70  | 15 | 92  | 55 | 16 | -   |
| 0924/08-3/4"   | 3/4   | 20 | 70  | 20 | 99  | 60 | 16 | 0,5 |
| 0925/08-1"     | 1     | 25 | 80  | 25 | 113 | 66 | 16 | 0,8 |
| 0926/08-1 1/4" | 1 1/4 | 32 | 80  | 32 | 128 | 76 | 16 | 1,0 |
| 0927/08-1 1/2" | 1 1/2 | 40 | 100 | 40 | 147 | 86 | 16 | 1,6 |
| 0928/08-2"     | 2     | 50 | 100 | 50 | 168 | 96 | 16 | 2,3 |