

Gunmetal



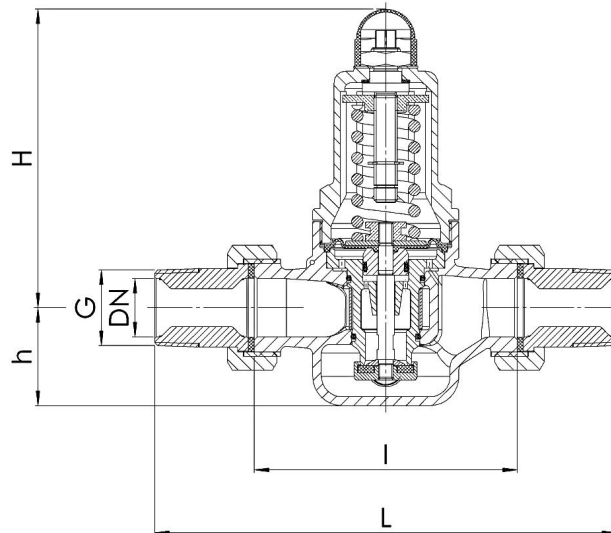
681mGFO-SP

For the protection of:

- domestic water supply systems
- commercial and industrial plants against too high supply pressure.
- Suitable for potable water supply acc. to DIN 1988.

Technical specifications

Inlet pressure:	Max 25bar
Outlet pressure:	1-8 bar
Temperature range:	-20...+120°C
Connections:	Male union joints, threads acc DIN EN 10226, ISO 7-1
Body:	Gunmetal CC499K
Internal parts:	Gunmetal CC499K, Brass CW614N, Stainless steel 1.4571
Diaphragm:	EPDM
Dirt trap:	Stainless steel 1.4301
	Mesh size: 1/2"-1 1/4" - 0,6mm, 1 1/2"-2" - 0,75mm



Dimensions / Data

DN	Type	G"	L	I	H	h	Kv m³/h	Max capacity m³/h	Kg
15	681mGFO-SP-1/2"	1/2	142	80	102	33	2,5-3,3	7	1,2
20	681mGFO-SP-3/4"	3/4	158	90	102	33	3,6-4,5	9	1,3
25	681mGFO-SP-1"	1	180	100	130	45	6,2-7,8	16	2,4
32	681mGFO-SP-1 1/4"	1 1/4	193	105	130	45	8,7-9,6	18	2,6
40	681mGFO-SP-1 1/2"	1 1/2	226	130	165	70	12-14	30	5,5
50	681mGFO-SP-2"	2	252	140	165	70	14,5-19	35	6,0

Options

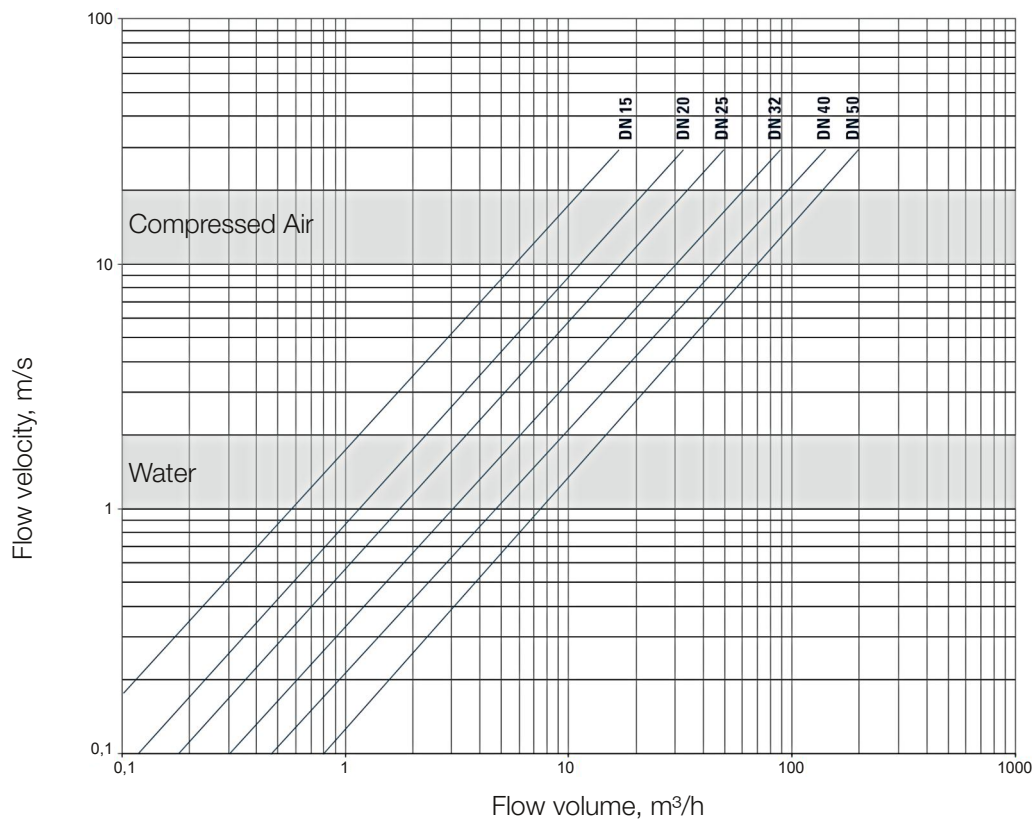
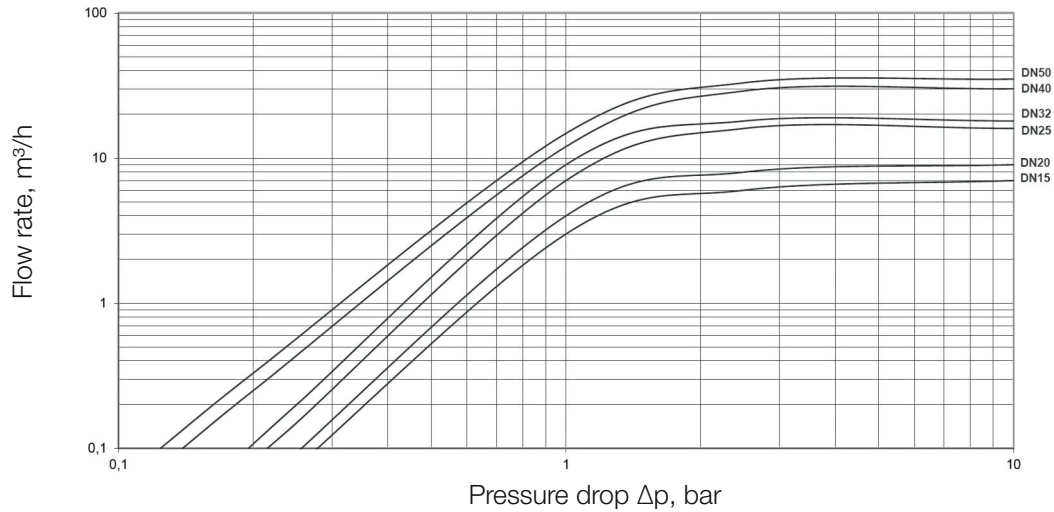
Diaphragm in FKM

Option for low outlet pressure: Inlet pressure max 25bar, outlet pressure 0,5-2bar

Option for high outlet pressure: Inlet pressure max 30bar, outlet pressure 5-15bar, temp. range -10°...+95°C

Gunmetal

Flow chart water



According to DVGW-guidelines (DIN 1988) a flow velocity of 2m/s in domestic water supply systems should not be exceeded.

Accessories

Pressure gauge P320-50-P-1/4"G-0~10 bar

