

Pneumatic Cylinder



MUNE-12

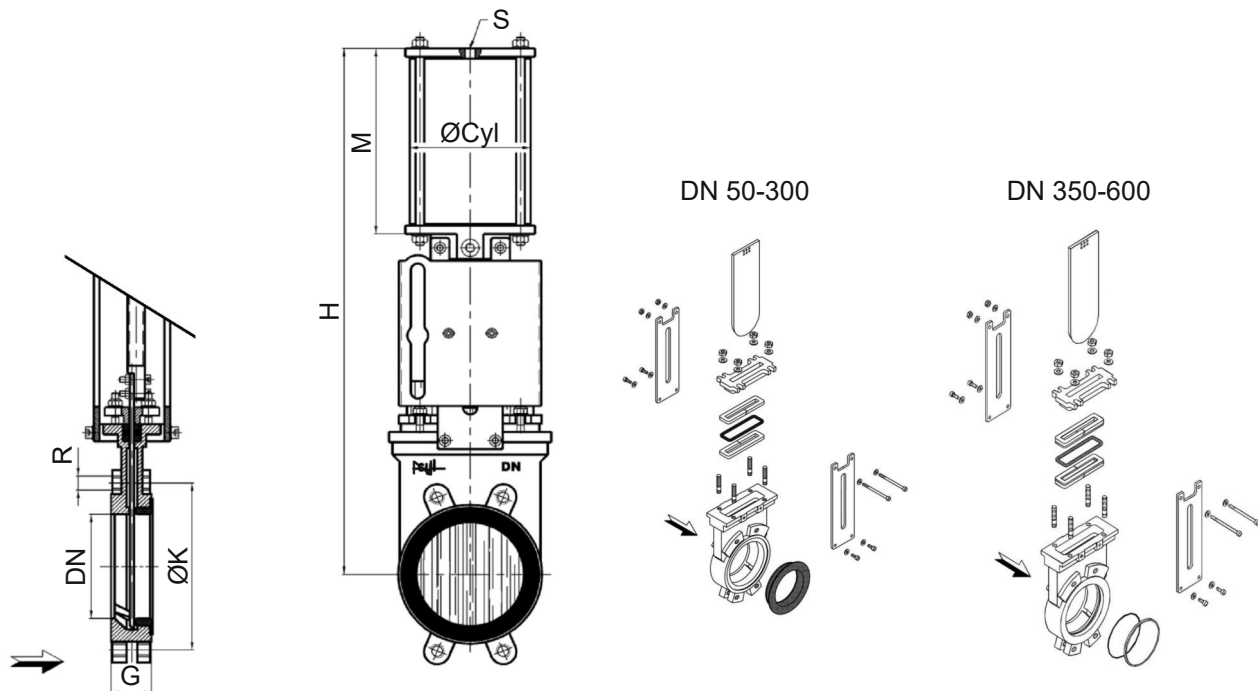
Knife gate valve with double acting pneumatic cylinder. To be mounted between flanges acc. to DIN2632.

Body material ductile iron GJS400 or optionally in AISI316, Duplex2205 or SMO254.

Seat in NBR for the standard execution, and EPDM, FKM, PTFE or metal as option.

Technical Features

Body:	Ductile iron GJS400
Gate:	Stainless steel AISI316
Stem:	Stainless steel AISI316
Pneumatic cylinder:	Aluminium
Bolts and nuts:	Stainless steel A2
Seat:	NBR
Packing:	PTFE and NBR
Gland:	Ductile iron GJS400
Temperature range:	-30...+80°C



Dimensions

Type	DN	G±1	H	M	S	ØCyl	ØK PN10	R PN10	ØK PN16	R PN16	PN
MUN(E)-12-DN50	50	43	406	147	1/4"	80	125	M16	125	M16	10
MUN(E)-12-DN65	65	43	448	160	1/4"	80	145	M16	145	M16	10
MUN(E)-12-DN80	80	46	490	177	1/4"	100	160	M16	160	M16	10
MUN(E)-12-DN100	100	52	537	198	1/4"	100	180	M16	180	M16	10
MUN(E)-12-DN125	125	56	625	232	3/8"	125	210	M16	210	M16	10
MUN(E)-12-DN150	150	56	757	267	3/8"	160	240	M20	240	M20	10
MUN(E)-12-DN200	200	60	928	327	1/2"	190	295	M20	295	M20	10
MUN(E)-12-DN250	250	68	1050	375	1/2"	190	350	M20	355	M24	7
MUN(E)-12-DN300	300	78	1229	428	1/2"	190	400	M20	410	M24	7