

Swing check valve, Zinc plated carbon steel

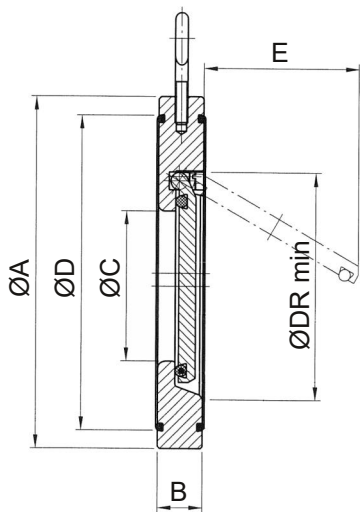


Series ZRK-ST-ST-E

Swing check valve to be mounted directly between flanges according to DIN.
Swing check valve, no load (ZRK) or Spring actuated swing check valve (ZRKF).

Technical Features

Body:	Zinc plated carbon steel 1.0619, A216 WCB
Disc:	Zinc plated carbon steel 1.0619, A216 WCB
Spring:	Stainless steel AISI316 Ti, 1.4571 (ZRKF)
Seat:	EPDM
Temperature range:	-10...+120°C
Connection:	Flange PN10-16



ZRKF



ZRK

Dimensions

Type	DN	A	B	C	D	E	ØDR min	Kv	PN	Kg
ZRK(F)-ST-ST-E-DN32	32	85	15	18	59	22	37	16	10-16	0,5
ZRK(F)-ST-ST-E-DN40	40	95	16	22	72	25	43	22	10-16	0,8
ZRK(F)-ST-ST-E-DN50	50	109	14	32	86	37	54	54	10-16	1,0
ZRK(F)-ST-ST-E-DN65	65	129	14	40	109	50	70	75	10-16	1,4
ZRK(F)-ST-ST-E-DN80	80	144	14	54	119	61	82	112	10-16	1,8
ZRK(F)-ST-ST-E-DN100	100	164	18	70	146	77	106	172	10-16	2,9
ZRK(F)-ST-ST-E-DN125	125	195	18	92	173	98	131	342	10-16	3,9
ZRK(F)-ST-ST-E-DN150	150	220	20	112	197	120	159	490	10-16	4,5
ZRK(F)-ST-ST-E-DN200	200	275	22	154	255	160	207	1128	10-16	7,5
ZRK(F)-ST-ST-E-DN250	250	330	26	192	312	190	260	1500	16	13,0
ZRK(F)-ST-ST-E-DN300	300	380	32	227	363	220	309	2290	16	23,0
ZRK-ST-ST-E-DN350	350	440	38	266	416	250	341	2890	10	33,5
ZRK-ST-ST-E-DN400	400	491	44	310	467	290	392	3700	10	52,0
ZRK-ST-ST-E-DN450	450	541	52	350	520	340	442	5000	10	71,0
ZRK-ST-ST-E-DN500	500	596	58	400	550	390	493	6550	10	94,0
ZRK-ST-ST-E-DN600	600	698	62	486	660	470	595	9500	10	128,0