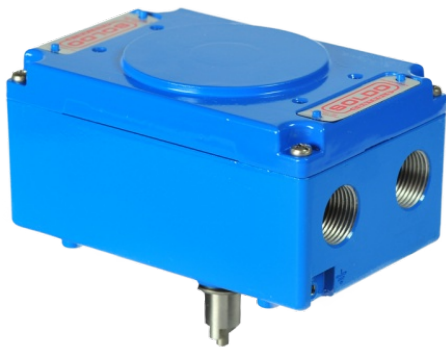


Switch boxes



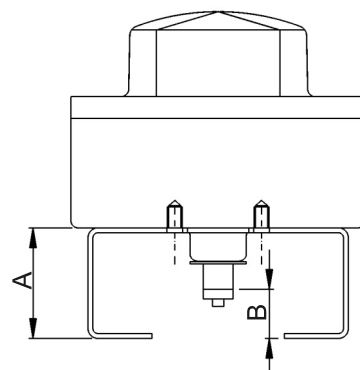
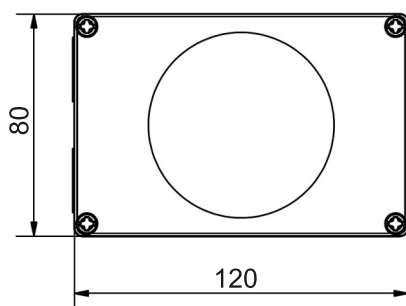
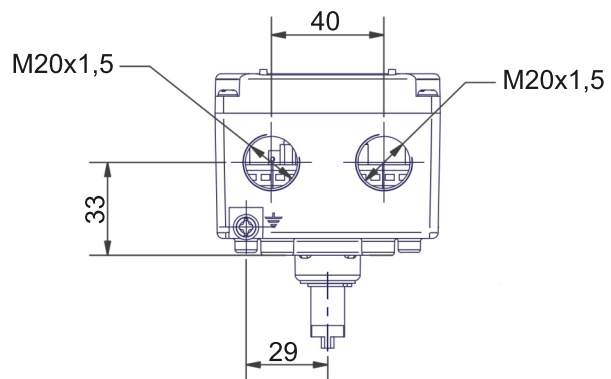
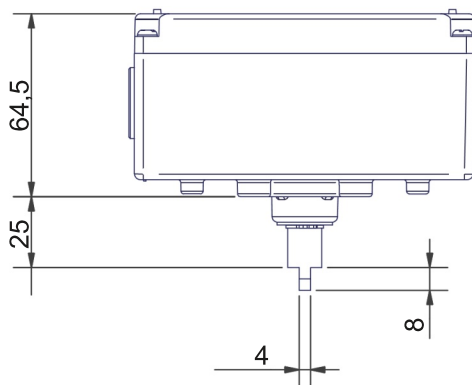
SA01204-2

Box for visual and electrical position feedback.
The box is equipped with two easy-set cams with tool free calibration.
Big size 3D rotor provides high visibility confirmation of valve position.

Teknisk Specifikation

Housing and cover:	Aluminium, polyester powder coated
Shaft:	Stainless steel
Bolts:	Stainless steel
Protection class:	IP66-67
Temperature range:	-20...+80°C
Switches:	2pcs electromechanical SPDT
Rating:	Max 3A/24VDC, 5A/250VAC
Accessories:	Mounting bracket SB20/30 in stainless steel

Dimensions



A - 20 (SB20)
A - 30 (SB30)
B - 45 (SB20)
B - 55 (SB30)