



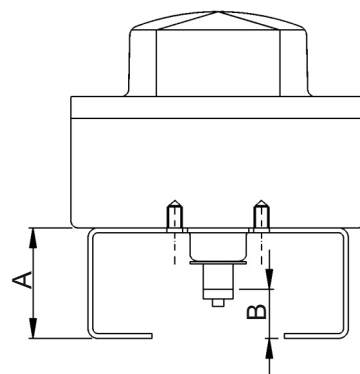
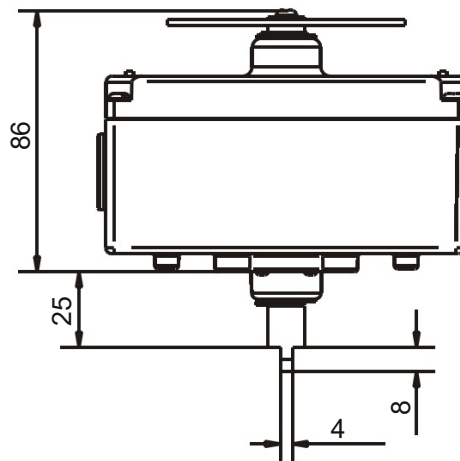
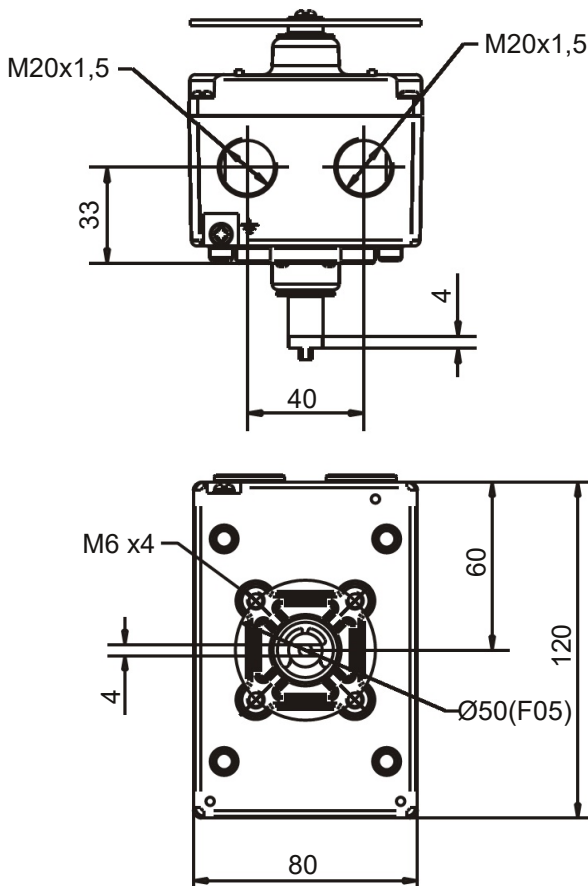
### SF01200-2EW01A4

Box for visual and electrical position feedback. Twin shaft design, ensuring a complete sealed device. The shaft is split in two parts, each fitted and sealed into the body and cover for the best weather insulation even during opening operation. The box is equipped with two easy-set cams with tool free calibration. Aluminium disc rotor provides high visibility confirmation of valve position.

### Technical Features

Housing and cover:	Aluminium, polyester powder coated
Position indicator:	Aluminium, anodized
Shaft:	Stainless steel
Bolts:	Stainless steel
Protection class:	IP66-67
Temperature range:	-20...+80°C
Switches:	2pcs electromechanical SPDT,
Rating:	Max 3A/24VDC, 5A/250VAC
Accessories:	Mounting bracket SB20/30 in stainless steel

### Dimensioner



- A - 20 (SB20)
- A - 30 (SB30)
- B - 45 (SB20)
- B - 55 (SB30)